

Digitron

HLX46 Series

Condensation Monitor

HLX46 condensation monitors are used to monitor the formation of condensation on chilled ceilings or to prevent condensation at critical spots of heating-, ventilation- and air conditioning systems. It is also used as a dew point monitor for systems operating near the dewpoint.

Because of the temperature coupling between the condensation monitor and the environment, the relative humidity is a measure for the dew point. The condensation monitor measures the relative humidity near the dew point using its high-quality capacitive sensor. At reaching the switching point of 90% RH the output will provide an early warning signal for the initiation of control steps (increasing the initial water temperature, reducing the cooling capacity, switching on the heating, etc...). An additional status light indicates the condensation danger.

Thanks to the special protection coating, sensor and electronics are highly insensitive to dust and dirt. HLX46 condensation monitors can be mounted on walls, ducts and pipes up to 2".



HLX46

Typical Applications

chilled ceilings
heating-, ventilation- and
air conditioning systems
switching cabinets

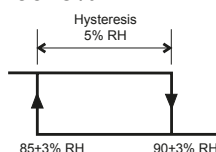
Features

early detection of condensation danger
compact design
fast response time
dust protection
simple and easy mounting
status indication

Technical Data

Humidity sensor
Working range
Switching point at 20°C (68°F)
Switching hysteresis

HC105
10...100% RH
90±3% RH



Response time at change of
pipe/wall temperature

$t_{90} < 3 \text{ min.}$

Response time at change of
relative humidity

$t_{90} < 25 \text{ sec.}$

Electrical output

potentialfree relay with changeover contact

Switching capacity

max. 24V AC/DC, 1A

Supply voltage

24V AC/DC ±20%

Current consumption at 24V DC

< 3mA

Relay status indication

LED, red

Electrical connection

5-pole push-in terminal, max. 1.5 mm² (AWG 16)

Dust protection

by special coating (permeable for water vapour)

Housing protection class

IP40

Housing material

PC, fire resistant according UL94-V0

Electromagnetic compatibility

EN 61326-1 EN 61326-2-3

industrial environment

Temperature range

working temperature range 0...50°C (32...122°F)

storage temperature range -20...70°C (-4...158°F)

Weight

approx. 60g

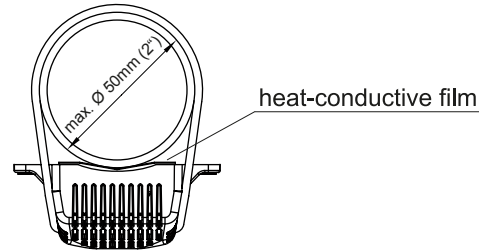
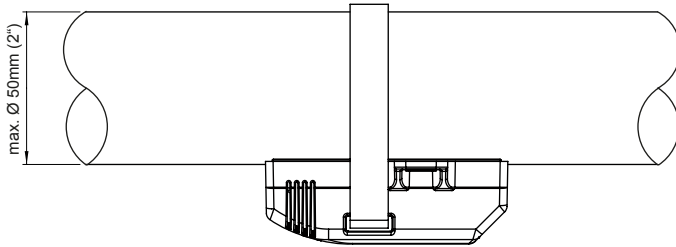


Dimensions (mm)

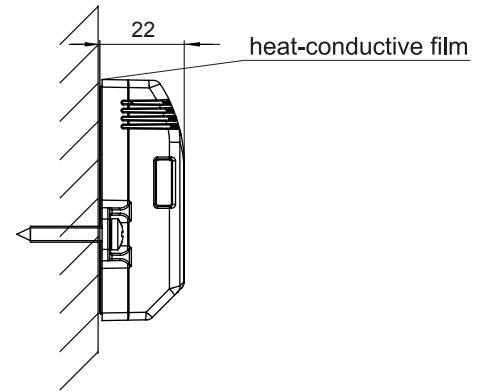
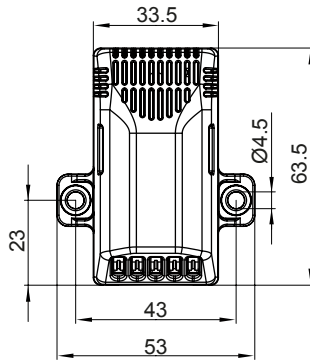
1 mm = 0.03937" / 1" = 25.4 mm

Installation

Pipe mounting

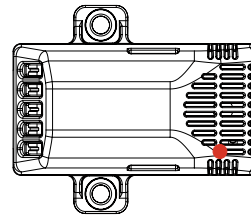
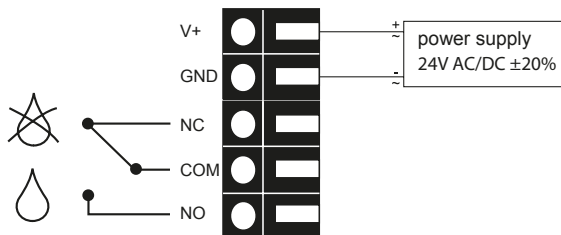


Wall mounting



Connection Diagram

Status Indication



- LED continuous red: Operating < 90% RH
- LED blinking red: Condensation danger

Ordering Guide

Condensation Monitor HLX46

(HLX46)