

# Digitron

## HLX10-T Series

### HVAC Temperature Transmitter for Indoor Applications

HLX10 room transmitters are the ideal solution for indoor applications such as HVAC in residential and official buildings.

The very stylish, functional housing makes possible easy installation and fast exchange of the sensing unit for service purposes.

The temperature output signal can be active or passive.

For on site display of the measured values the HLX10 with active temperature output can be equipped with an easily readable display.



#### Typical Applications

building management for residential and office areas  
switching cabinets  
climate control in hotels and museums

#### Features

excellent price / performance ratio  
easiest installation  
modern design  
optional display

#### Technical Data

##### Measuring Quantities

###### Temperature (active output)

Analogue output 0...50°C (32...122°F)<sup>1)</sup>

Accuracy at 20°C (68°F)

###### Temperature (passive output)

Type of T-Sensor

0-10 V

4-20 mA (two wires)

±0.3°C (±0.54°F)

$-1 \text{ mA} < I_L < 1 \text{ mA}$

$R_L < (U_V - 10) / 0.02 < 500 \text{ Ohm}$

please see ordering guide

##### General Data

Voltage supply (U<sub>v</sub>)

for 0 - 10 V

for 4 - 20 mA

Current consumption

for DC supply:

for AC supply:

Electrical connection

Housing / Protection class

Display

CE compatibility according

Temperature ranges

15 - 40 VDC

or 24 VAC ±20%

$28 \text{ V DC} > U_V > 10 + 0.02 \times R_L$  ( $R_L < 500 \text{ Ohm}$ )

typical 4 mA

typical 15 mA<sub>eff</sub>

Screw terminals max. 1.5 mm<sup>2</sup> (AWG 16)

PC / IP30

only for HLX10-Tx version: temperature

EN61326-1

FCC Part15 ClassB

EN61326-2-3

ICES-003 ClassB

Working temperature range:

-5...55°C (23...131°F)

Working temperature with display:

-5...55°C (23...121°F)

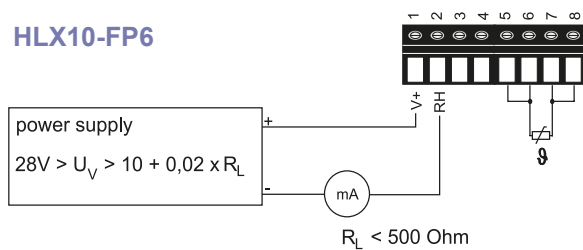
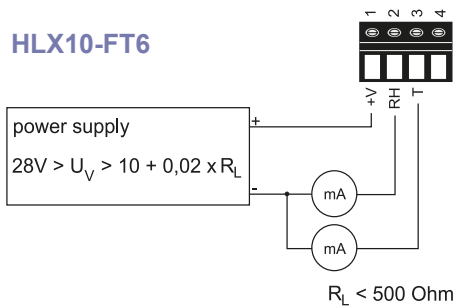
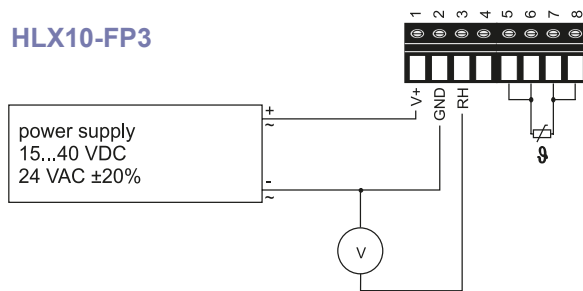
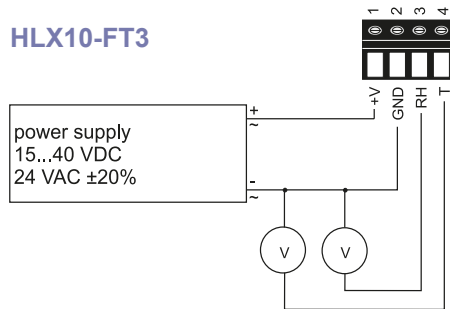
Storage temperature range:

-25...60°C (-13...140°F)

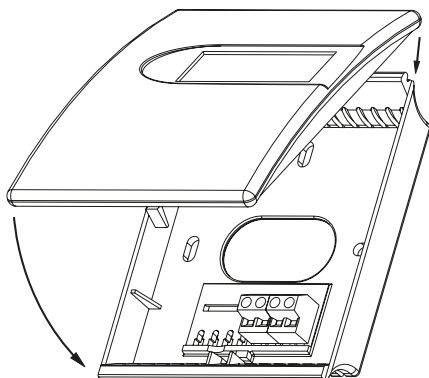
<sup>1)</sup> Other T-scalins refer to data sheet "T-Scalings"



## Connection Diagram



## Dimensions (mm)



Housing colour: Cover: RAL 9003 (signal white)  
Back: RAL 7035 (light grey)

## Order Example

### HLX10-FT3-D04-T04

Model: humidity + temperature  
Output humidity: 0-10V  
Output temperature: 0-10V  
Display: with display  
T-Unit: °C  
T-Scale: 0...50°C

Europe: W x H x D = 85 x 100 x 26mm (3.3 x 3.9 x 1")  
USA: W x H x D = 85 x 136 x 26mm (3.3 x 5.4 x 1")

## Ordering Guide

MODEL	OUTPUT	T-SENSOR (only passive)	DISPLAY	HOUSING	T-UNIT	T-SCALE (only for FT)
humidity + temperature (FT)	0 - 10 V (3)	Pt 100 DIN A	(A) without display (--)	Europa (--)	°C (--)	0...50 (T04)
humidity+temp. passive (FP)	4 - 20 mA (6)	Pt 1000 DIN A	(C) with display (D04)	USA (US)	°F (E01)	-5...55 (T31)
						0...40 (T55)
						other (Txx)

HLX10-