

OMNIPOINT 20

Multifunctional Hand-Held

To measure various climate and processes values with a hand-held, user-friendly instrument requires extraordinary measurement technology. The hand-held meters of the OMNIPOINT 20 series meet these multiple demands.

The selection of the appropriate sensing probe and accordingly the configuration of the hand-held meter allow for displaying the following values with the highest accuracy:

- relative humidity RH
- temperature T
- dew point temperature Td
- absolute humidity dv
- mixing ratio r
- air velocity v
- water activity aw
- water content in oil x

The robust housing of the OMNIPOINT 20 allows usage in harsh industrial environments. The readability of the large illuminated display is excellent. The easy to understand menu and the practical thumbwheel navigation offer outstanding comfort.

Optional carrying cases can accommodate the basic device with up to 5 sensing probes as well as accessories (calibration device with 5 ampoules calibration fluid (80% RH), factory certificate).

The accuracies of the humidity / temperature probes are traceable to international standards, administrated by NIST, PTB, BEV...



Typical Applications

- HVAC control
- industry and process control
- clean room control
- water activity and moisture content in oil
- humidity measurement in walls and floors

Features

- measurands: RH, T, Td, dv, r, v, aw, x
- large, illuminated display
- HOLD / MIN / MAX / AVG readout
- real time clock
- SI/US units selectable
- recalibration by user

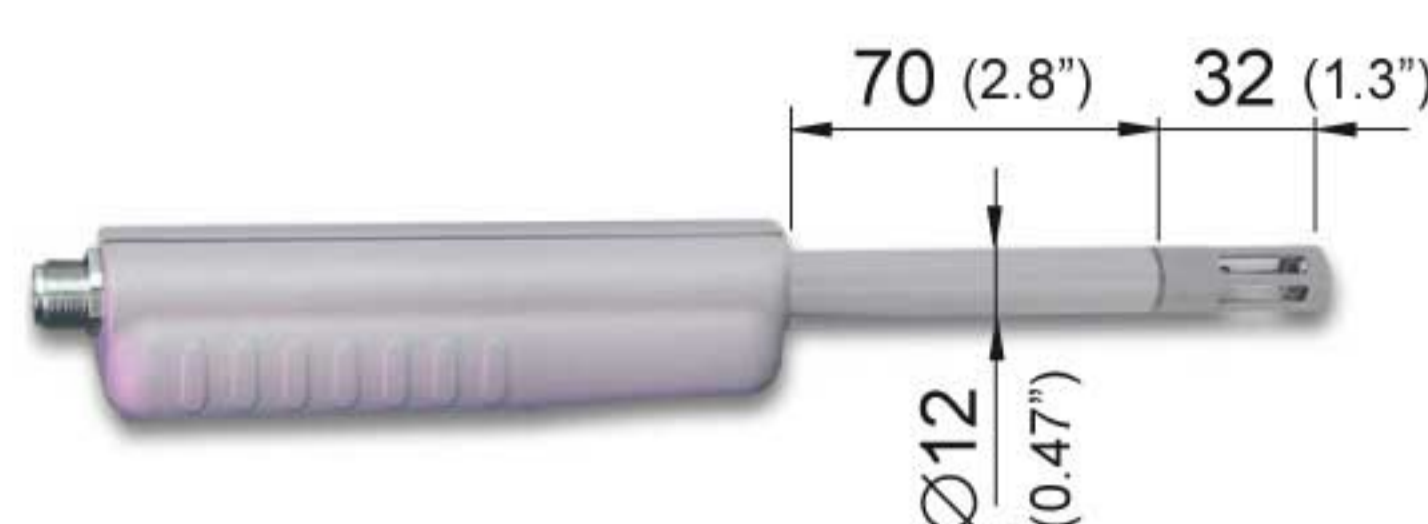
Technical Data

General

Resolution	- humidity / temperature probe (HA040201, HA040202, HA040203): humidity measurement: 0.1% RH; g/m ³ ; Td [°C, °F]; g/Kg; gr/lb temperature measurement: 0.1°C; 0.1°F - passive temperature probe (HA040101, HA040102, HA040104, HA040105): 0.1°C; 0.1°F - air velocity probe (HA040401, HA040402, HA040403): air velocity measurement: 0.01m/s; 1ft/min temperature measurement: 0.01°C; 0.01°F - moisture in oil measurement (HA040204, HA040206): moisture measurement: aw: 0.001 [] or 0.01...1ppm (depending on measuring range) temperature measurement: 0.1°C; 0.1°F		
Supply voltage	4x 1.5V AA alkali-manganese battery		
Battery lifetime	with PT100 probe:	300h	
	with RH/T or aw/x probe:	200h	
	with v probe:	40h	
Working temperature range	handheld and grip of sensing probe: 0...50°C (32...122°F)		
CE compatibility according	EN50081-2	EN50082-2	EN55011
	EN61000-4-2	EN61000-4-3	
Housing / protection class	ABS / IP40		
Dimensions (HxWxD)	145 x 85 x 37 mm (5.7 x 3.3 x 1.5")		
Weight	ca. 400g (1lbs)		
Display	LC display, 90 x 50 mm (3.5 x 2"), illuminated		



Humidity / Temperature Probes: RH/T HVAC probe



Application: humidity and temperature measurement in HVAC applications

Working range: 0...100% RH / -20...70°C (-4...158°F)

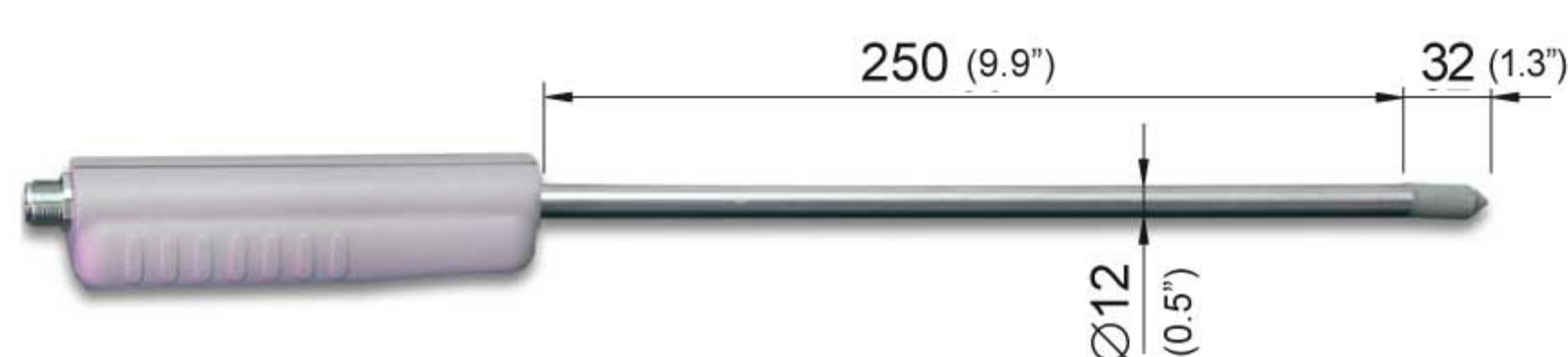
Accuracy: ±2% RH (0...90% RH), ±3% RH (90...100% RH)
±0.2°C / ±0.36°F (20°C / 68°F),
±0.5°C / ±0.9°F (-20 resp. 70°C / -4 resp. 158°F)

Response time τ_{90} : ≤ 7 sec.

Measurand: channel 1: T [°C/°F]
channel 2: RH [%], dv [g/m³], Td [°C/°F], r [g/kg, gr/lb]

Order code: **HA040201**

RH/T high temperature probe



Application: humidity and temperature measurement in industrial process applications

Working range: 0...100% RH / -40...180°C (-40...356°F)
(grip of sensing probe up to 80°C)

Accuracy: ±2% RH (0...90% RH), ±3% RH (90...100% RH)
±0.2°C / ±0.36°F (20°C / 68°F),
±0.5°C / ±0.9°F (-40°C / -40°F), ±0.6°C / ±1.1°F (180°C / 356°F)

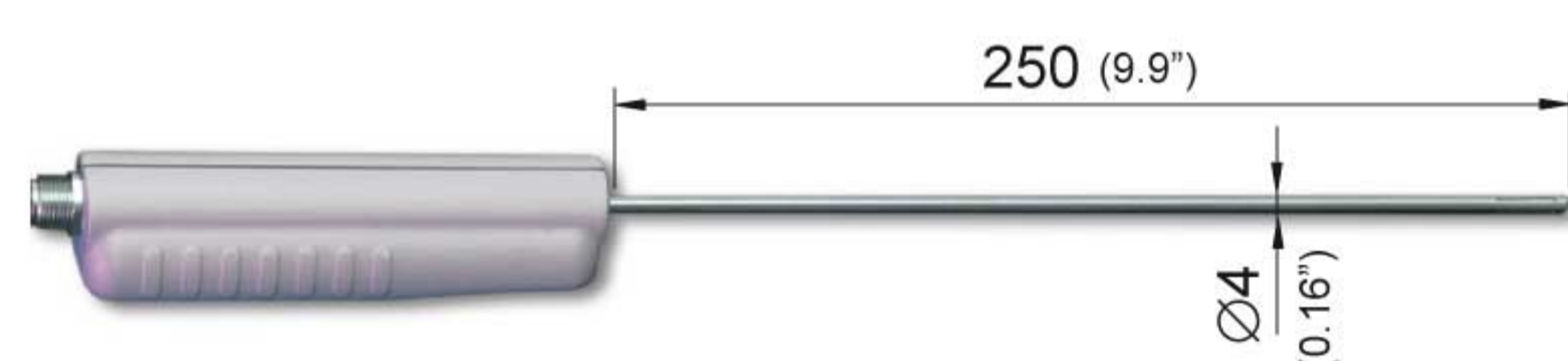
Response time τ_{90} : ≤ 30 sec.

Measurand: channel 1: T [°C/°F]
channel 2: rF [%], dv [g/m³], Td [°C/°F], r [g/kg, gr/lb]

Temperature dependence: RH: ±0.03% RH/°C (% RH/°F)

Order code: **HA040202**

RH/T miniature probe



Application: humidity and temperature measurement in small places, humidity measurement in boreholes

Working range: 0...100% RH / -40...100°C (-40...212°F)

Accuracy: ±2% RH (0...90% RH), ±3% RH (90...100% RH)
±0.2°C / ±0.36°F (20°C / 68°F),
±0.7°C / ±1.26°F (-40 resp. 100°C / -40 resp. 212°F)

Response time τ_{90} : ≤ 15 sec.

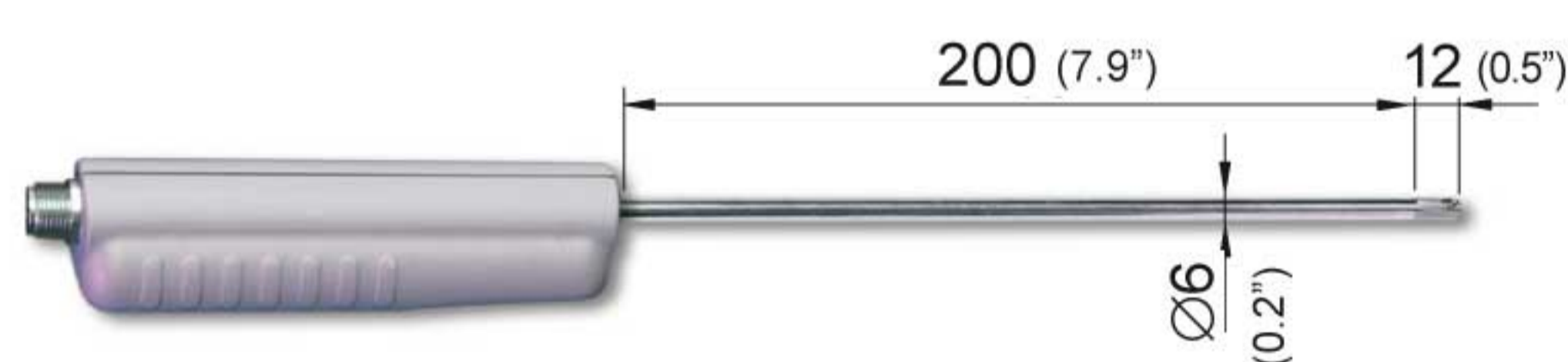
Measurand: channel 1: T [°C/°F]
channel 2: RH [%], dv [g/m³], Td [°C/°F], r [g/kg, gr/lb]

Temperature dependence: RH: ±0.03% RH/°C (% RH/°F)

Order code: **HA040203**

Air Velocity Probes:

Air velocity probe Ø6mm (0.24")



Application: air velocity measurement in small places and for high accuracy requirements

Working range: 0...2m/s (0...400ft/min) 0...20m/s (0...4000ft/min)
-20...70°C (-4...158°F) -20...70°C (-4...158°F)

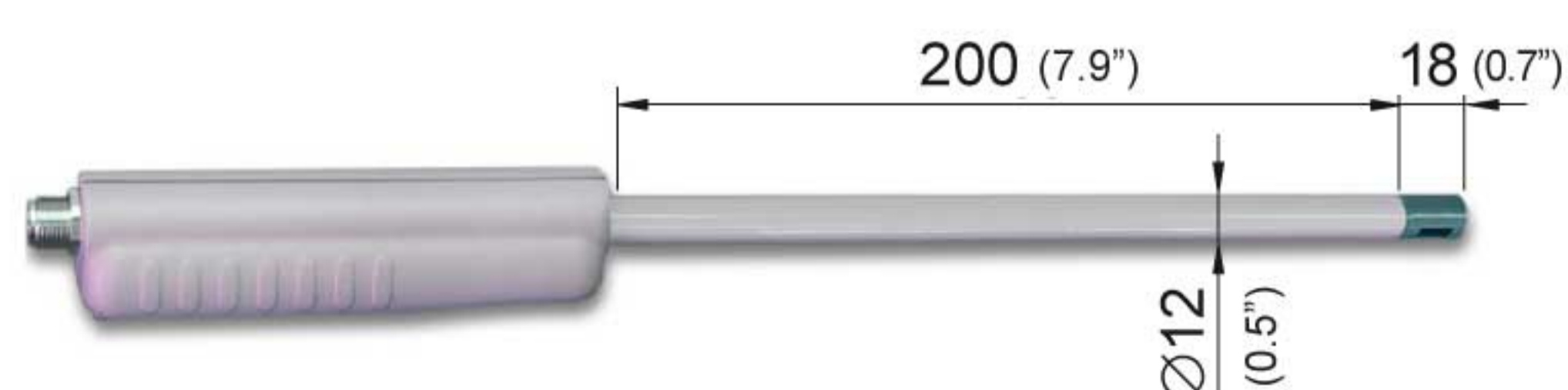
Accuracy: 0.08...2m/s (15...400ft/min): 0.2...20m/s (40...4000ft/min):
(0...50°C / 32...122°F) ±(0.2m/s / 39ft/min + 2% of m. v.) ±(0.2m/s / 39ft/min + 2% of m. v.)
± 0.7°C (±1.26°F) ± 0.7°C (±1.26°F)

Response time τ_{90} : ≤ 1.5 sec. ≤ 1.5 sec.

Measurand: channel 1: v [m/s, ft/min] channel 1: v [m/s, ft/min]
channel 2: T [°C/°F] channel 2: T [°C/°F]

Order code: **HA040401** **HA040402**

Air velocity probe Ø12mm (0.47")



Application: air velocity measurement in HVAC applications

Working range: 0...20m/s (0...4000ft/min) / 0...50°C (32...122°F)

Accuracy: 0.2...20m/s (40...4000ft/min):
±(0.2m/s / 39ft/min + 3% of m. v.) / ± 1°C (±1.8°F)

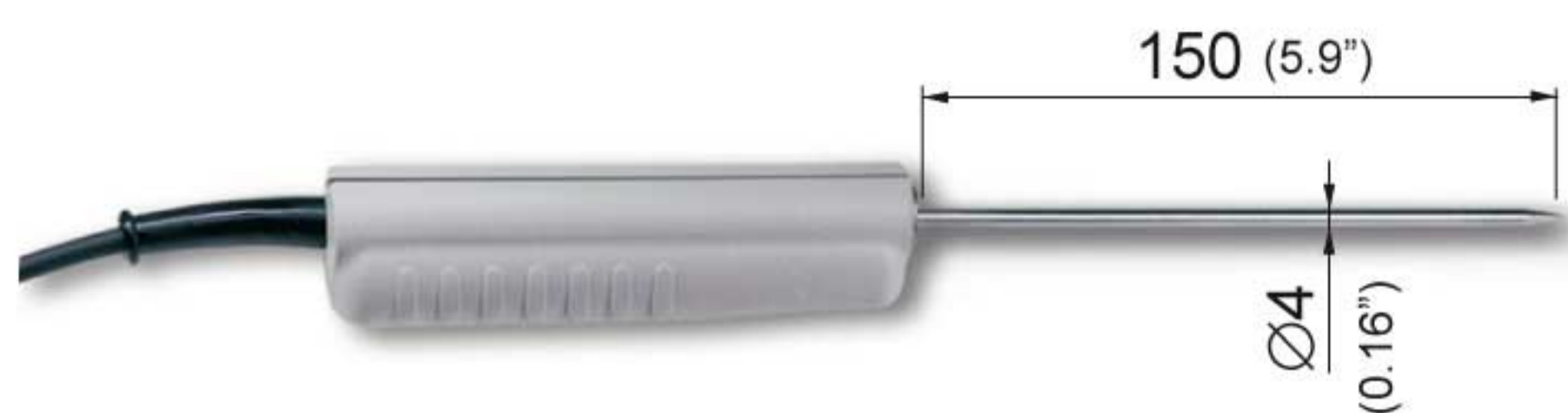
Response time τ_{90} : ≤ 1.5 sec.

Measurand: channel 1: v [m/s, ft/min]
channel 2: T [°C/°F]

Order code: **HA040403**

Temperature Probes:

PT100 cut-in probe



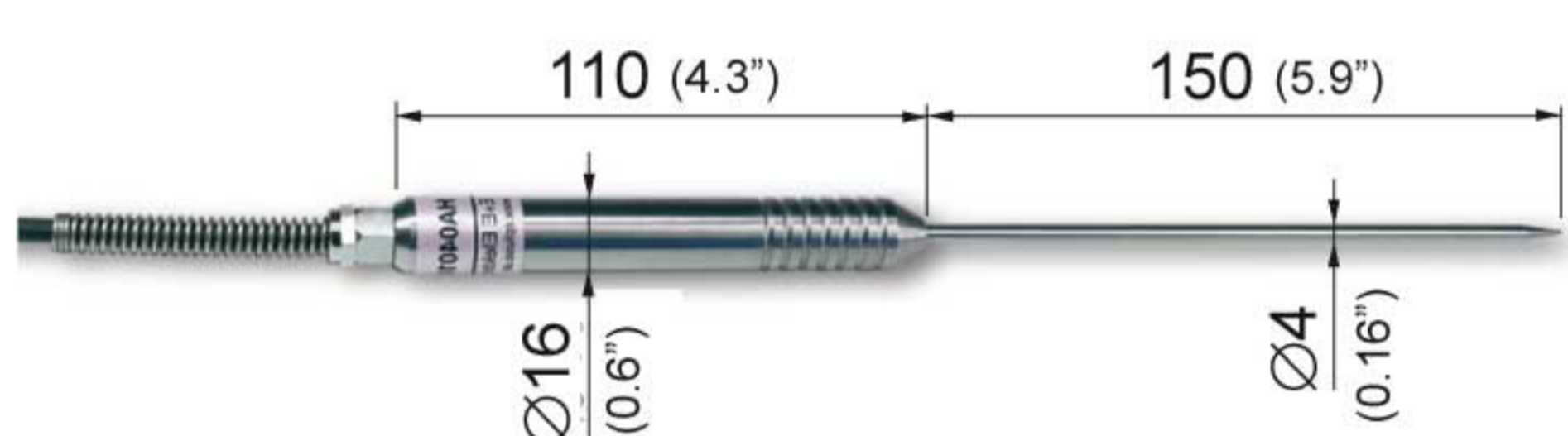
Application: temperature measurement in solid, liquid and powdery media
 Working range: $-40...400^{\circ}\text{C}$ ($-40...752^{\circ}\text{F}$)¹⁾
 Accuracy: PT100 class B, basic device: $\pm 0.5^{\circ}\text{C}$ ($\pm 0.9^{\circ}\text{F}$)
 Response time τ_{90} : 10 sec.
 Cable length: 1m (3.28ft)
 Order code: **HA040101**

PT100 immersion probe



Application: temperature measurement in gaseous, liquid and powdery media
 Working range: $-40...400^{\circ}\text{C}$ ($-40...752^{\circ}\text{F}$)¹⁾
 Accuracy: PT100 class A, basic device: $\pm 0.5^{\circ}\text{C}$ ($\pm 0.9^{\circ}\text{F}$)
 Response time τ_{90} : 10 sec.
 Cable length: 1m (3.28ft)
 Order code: **HA040102**

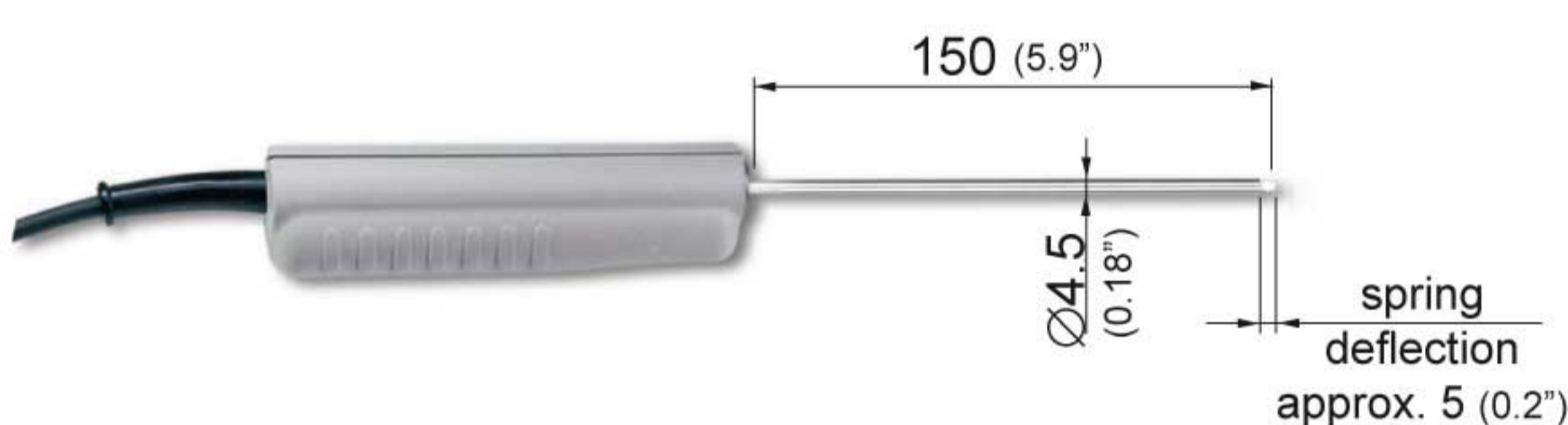
PT100 cut-in food probe



Application: temperature measurement in solid, liquid and powdery food
 Working range: $-40...400^{\circ}\text{C}$ ($-40...752^{\circ}\text{F}$)¹⁾
 Accuracy: PT100 class A, basic device: $\pm 0.5^{\circ}\text{C}$ ($\pm 0.9^{\circ}\text{F}$)
 Response time τ_{90} : 10 sec.
 Cable length: 1m (3.28ft)
 Order code: **HA040104**

1) Attend to working temperature range of grip of sensing probe!

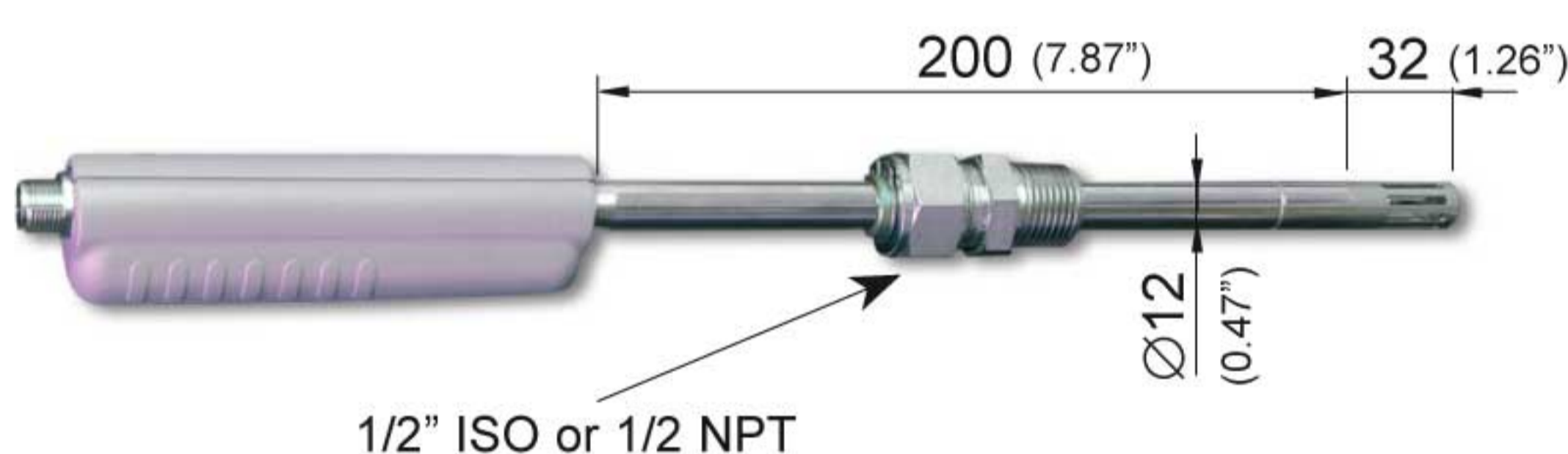
PT100 surface probe



Application: measurement probe with a spring flexure, which undergoes a defined deflection when pressed against the surface.
 Working range: $-50...400^{\circ}\text{C}$ ($-58...752^{\circ}\text{F}$) (grip of sensing probe up to approx. 80°C 176°F)
 Accuracy: PT100 class B, basic device: $\pm 0.5^{\circ}\text{C}$ ($\pm 0.9^{\circ}\text{F}$)
 Response time τ_{90} : 10 sec. (at even, smooth or metallic surfaces)
 Cable length: 1m (3.28ft)
 Order code: **HA040105**

Oil Probe:

Oil probe $\varnothing 12\text{mm}$ (0.47")



Application: measurement of moisture in mineral and synthetic oil
 Working range: $0...1 a_w / 0...20000\text{ppm} / -40...120^{\circ}\text{C}$ ($-40...248^{\circ}\text{F}$)
 Accuracy: $\pm 0.02 a_w$ ($0...0.9 a_w$), $\pm 0.03 a_w$ ($0.9...1 a_w$)
 $\pm 0.2^{\circ}\text{C} / \pm 0.36^{\circ}\text{F}$ ($20^{\circ}\text{C} / 68^{\circ}\text{F}$),
 $\pm 0.5^{\circ}\text{C} / \pm 0.9^{\circ}\text{F}$ (-40 resp. $120^{\circ}\text{C} / -40$ resp. 248°F)
 Response time τ_{90} : ≤ 10 min (in still oil)
 Pressure range: $0.01...20\text{bar}$ ($0.15...300\text{psi}$)
 Measurand: channel 1: $T [^{\circ}\text{C}/^{\circ}\text{F}]$
 channel 2: $a_w []$ or $x [\text{ppm}]$ oil specific parameters are adjustable at the basic device
 Temperature dependence: $a_w: \pm 0.0003 a_w / ^{\circ}\text{C}$ ($a_w / ^{\circ}\text{F}$)
 Order code: 1/2 ISO: **HA040204** 1/2 NPT: **HA040206**

Ordering Guide

MODEL	PROBES	ACCESSORIES
basic device (OMNIPOINT 20) (incl. 2m (6.6ft) probe cable)	RH/T HVAC probe (HA040201)	stainless steel sintered filter (for $\varnothing 12\text{mm}$ RH/T probe) (HA010103)
	RH/T high temperature probe (HA040202)	PTFE - filter (for $\varnothing 12\text{mm}$ RH/T probe) (HA010105)
	RH/T miniature probe (HA040203)	metal grid filter (for $\varnothing 12\text{mm}$ RH/T probe) (HA010106)
	PT100 cut-in probe (HA040101)	carrying case big (basic device + 5 probes) (HA040902)
	PT100 immersion probe (HA040102)	carrying case small (basic device + 1 probe) (HA040904)
	PT100 cut-in food probe (HA040104)	
	PT100 surface probe (HA040105)	ball valve set 1/2" ISO for oil probe (HA050101)
		ball valve set 1/2" NPT for oil probe (HA050104)
	air velocity probe $\varnothing 6\text{mm}$ (0.24") - $0...2\text{m/s}$ ($0...400\text{ft/min}$) (HA040401)	probe cable 2m (HA010813)
	air velocity probe $\varnothing 6\text{mm}$ (0.47") - $0...20\text{m/s}$ ($0...400\text{ft/min}$) (HA040402)	probe cable 5m (HA010814)
	air velocity probe $\varnothing 12\text{mm}$ (0.47") (HA040403)	probe cable 10m (HA010815)
	oil probe - 1/2" ISO (HA040204)	humidity standards / calibration device (refer to data sheet "humidity calibration set")
	oil probe - 1/2" NPT (HA040206)	ISO standard calibration package (refer to data sheet "OEKD Calibration Laboratory")

Order Example

OMNIPOINT 20, HA040201, HA040202, HA040401, HA010401, HA040902

model: basic device OMNIPOINT 20

probes: RH/T HVAC probe, RH/T high temperature probe, air velocity probe $\varnothing 6\text{mm}$ (0.24") - $0...2\text{m/s}$ ($0...400\text{ft/min}$)

accessories: calibration device for sensor probes 12mm (0.47") - horizontal mounting, carrying case big

OMNIPOINT 20

Digitron Italia

Strada ASI Consortile, 7 - Loc. Torrefessa F. 03013 FERENTINO (FR)
 P.IVA 02270700608
 Tel: +39 0775 392052 Fax: +39 0775 223835 E-mail:
info@digitron-italia.it