

# HLX850

## CO<sub>2</sub> and Temperature Transmitter for Duct Mounting

The HLX850 is designed for use in building management applications. A multiple point CO<sub>2</sub> and temperature factory adjustment procedure leads to excellent CO<sub>2</sub> measurement accuracy over the entire temperature working range.

The HLX850 incorporates the dual wavelength NDIR CO<sub>2</sub> sensor, which compensates for ageing effects, is highly insensitive to pollution and offers outstanding long term stability.

Installed into a duct, a small amount of air will flow through the divided probe into the transmitter housing, where the CO<sub>2</sub> sensing cell is located, and back into the duct. The temperature sensor is located inside the probe.

The CO<sub>2</sub> concentration up to 10,000ppm and the temperature are available on the voltage or current analogue outputs. The HLX850 offers an additional option for a passive temperature sensor output with 2-wires connection. An optional kit facilitates easy configuration and adjustment of HLX850.



HLX850

### Typical Applications

- Building management
- Demand controlled ventilation
- Process control

### Key Features

- CO<sub>2</sub> Autocalibration
- Outstanding long-term stability
- Temperature compensation
- Easy installation
- IP65 / NEMA 4 enclosure

### Technical Data

#### Measuring Values

##### CO<sub>2</sub>

Measurement principle	dual wavelength non-dispersive infrared technology (NDIR)
Measuring range	0...2000 / 5000 / 10000ppm
Accuracy at 25°C (77°F) and 1013mbar (14.7psi)	0...2000ppm: < ± (50ppm +2% of measured value) 0...5000ppm: < ± (50ppm +3% of measured value) 0...10000ppm: < ± (100ppm +5% of measured value)
Response time T <sub>63</sub>	< 100s at 3m/s (590ft/min) air speed in the duct
Temperature dependency	typ. 1ppm CO <sub>2</sub> /°C (-20...45°C) (-4...113°F)
Calibration interval <sup>1)</sup>	>5 years
Sample rate	approx. 15s

##### Temperature

Working range	-20...60°C (-4...140°F); scaling see ordering guide
Accuracy at 20°C (68°F)	±0.3°C (±0.54°F)
Response time T <sub>63</sub>	< 50s

#### Outputs

##### Analogue Output

CO <sub>2</sub> : 0...2000 / 5000 / 10000ppm	$\int$ 0 - 5 / 0 - 10V    -1mA < I <sub>L</sub> < 1mA $\int$ 4 - 20mA        R <sub>L</sub> < 500 Ohm
T: according ordering guide	

##### Passive T-Output

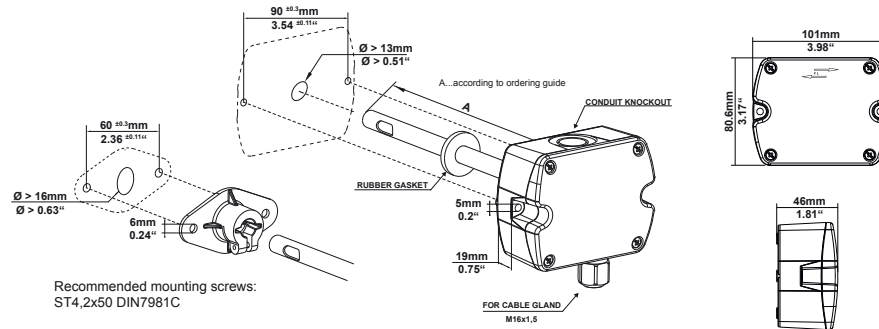
2-wire	see ordering guide
Wires resistance (terminal - sensor)	typ. 0.4 Ohm

#### General

Supply voltage	24V AC ±20%                      15 - 35V DC
Current consumption	typ. 15mA + output current max. 350mA for 0.3s
Min. flow speed	1m/s (196ft/min) recommended
Housing material	Polycarbonate, UL94V-0 approved
Protection class	Enclosure: IP65 / NEMA 4, probe: IP20
Cable gland	M16 x 1.5
Electrical connection	screw terminals max. 2.5 mm <sup>2</sup> (AWG 14)
Electromagnetic compatibility	EN61326-1    EN61326-2-3    Industrial Environment FCC Part 15    ICES-003 ClassB
Working and storage conditions	-20...60°C (-4...140°F)    0...95% RH (non-condensing)

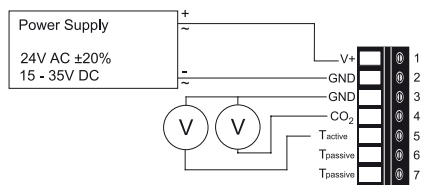
<sup>1)</sup> under normal operating conditions

## Dimensions (mm/inch)

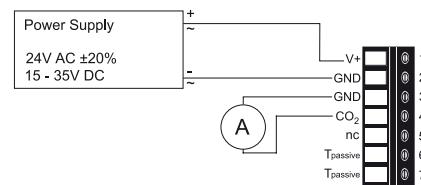


## Connection Diagram

### Voltage output



### Current output



## Ordering Guide

### Voltage output

MODEL	ANALOGUE	DIGITAL	PASSIVE T-SENSOR <sup>1)</sup>	PROBE LENGTH (see dimensions „A“)	HOUSING
CO <sub>2</sub> (C)	0-5V (2)	none (x)	Pt1000A (C)	50mm (1.97") (B)	standard (P)
CO <sub>2</sub> +T (CT)	0-10V (3)		NTC10k (E)	200mm (7.87") (F)	
			Ni1000, TK6180 (J)		
			none (x)		

### HLX850-

1) only available for CT model

### Current output

MODEL	ANALOGUE	DIGITAL	PASSIVE T-SENSOR	PROBE LENGTH (see dimensions „A“)	HOUSING
CO <sub>2</sub> (C)	4-20mA (6)	none (x)	Pt1000A (C)	50mm (1.97") (B)	standard (P)
			NTC10k (E)	200mm (7.87") (F)	
			Ni1000, TK6180 (J)		
			none (x)		

### HLX850-

OUTPUT 1		OUTPUT 2			
CO2 SCALING	PARAMETER	SCALING <sup>1)</sup>	UNIT		
0...2000ppm (002)	Temperature (T)	0...50 (004)	metric (M)		
0...5000ppm (005)		-5...55 (031)	non-metric (N)		
0...10000ppm (010)		0...40 (055)			
		20...120 (015)			
		32...122 (076)			
		32...132 (096)			

1) other scaling upon request

## Ordering Example

### HLX850-CT3xCFP-002T031M

Model:	CO <sub>2</sub> + T	Output 1	
Analog:	0-10V	CO <sub>2</sub> scaling:	0...2000ppm
Passive T-sensor:	Pt1000A	Output 2	
Probe length:	200mm	Parameter:	Temperature
Housing:	standard	Scaling:	-5...55
		Unit:	metric

## Accessories

Product configuration adapter	see data sheet
Product configuration software	PCS
Power supply adapter	V03